

# Technical Newsletter

#tnl2011-0021e  
# 1 / 2



## Notification of Change in Shape of the 6-inch, 8-inch, and 12-inch Chuck Tables of the Dicing Saw 6000 Series

### Notice

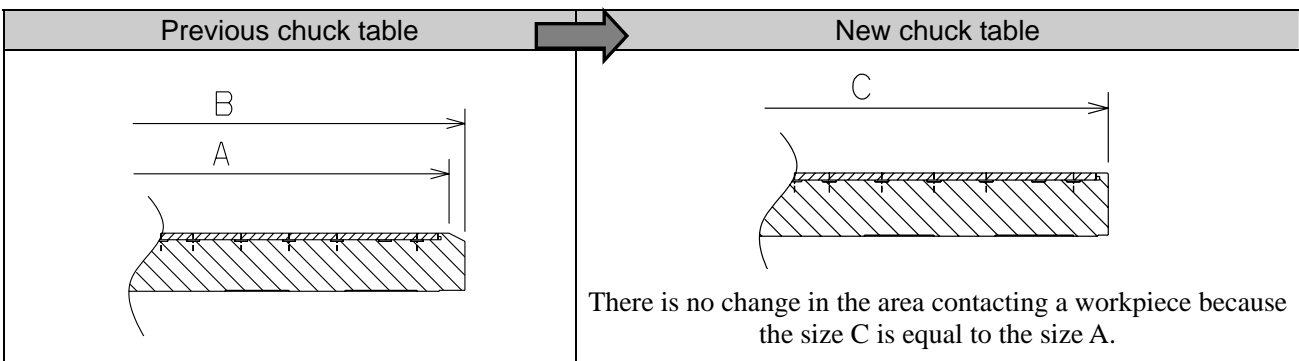
The shapes of the 6-inch, 8-inch, and 12-inch chuck tables mounted on the 6000 series as standard will be changed.

The newly-shaped chuck tables will be mounted on the machines to be shipped after March 2012. (No change in shape of user-specified chuck tables.)

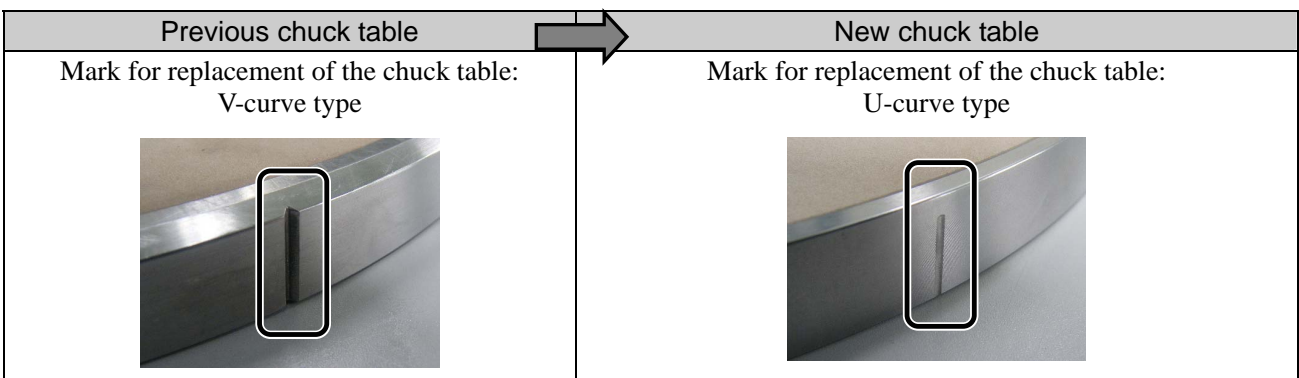
\*This change in shape of the chuck tables will not require the customer to make any changes for operation, data settings, maintenance procedures, etc.

### Change 1: Chuck table diameter

Applicable model	Chuck table size (inch)	Before change			After change	
		Part No.	Size A (mm)	Size B (mm)	Part No	Size C (mm)
DFD6240	6	FJMB-910006-1	φ162	φ170	FJTB-010003-0	φ162
DFD6340 DFD6341 DFD6450	8	FJMB-910008-1	φ210	φ220	FJTB-010002-0	φ210
DFD6360A	8	FJEB-910002-1	φ210	φ220	FKFB-510039-1	φ210
DFD6361 DFD6362	12	FJEB-910001-1	φ310	φ318	FKFB-510028-1	φ310



### Change 2: Positioning mark



# Technical Newsletter

#tnl2011-0021e

# 2 / 2

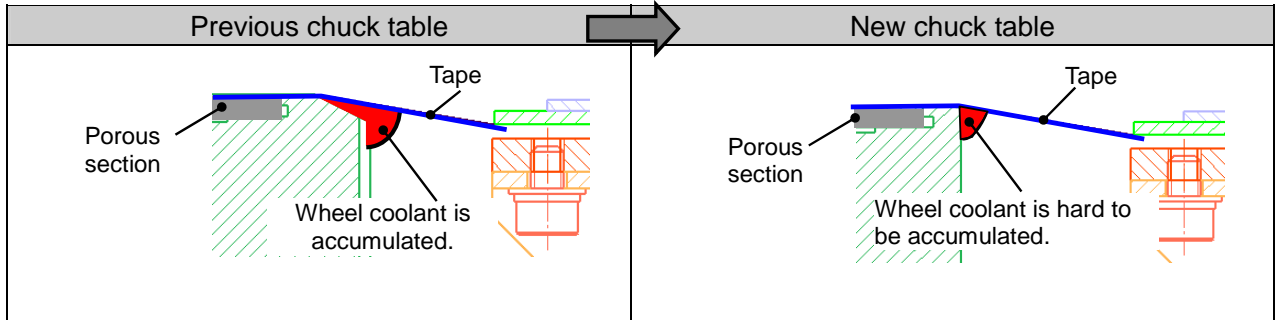


## Reason for change

---

Wheel coolant accumulated on the backside of the tape during cutting may get into the porous section via the backside of the tape during cutting or carry.

The new chuck table has been designed so that wheel coolant is hard to be accumulated.



## Inquiry

---

If you have any questions on this matter, please contact your nearest DISCO office or DISCO service office.

---